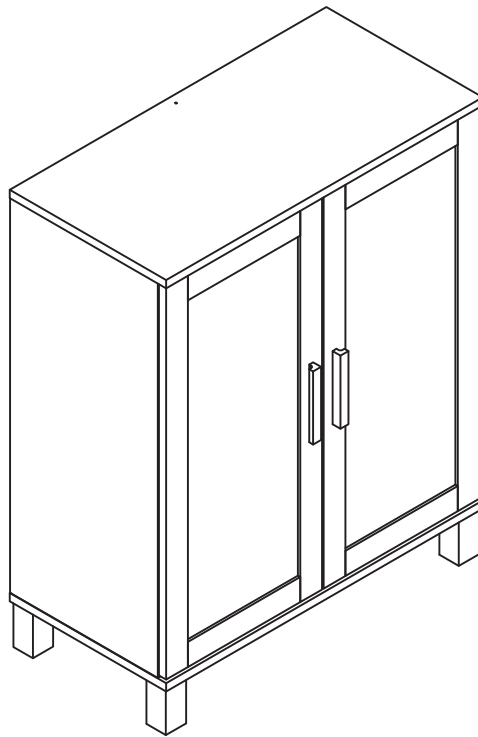


# Assembly Instructions

## 2 Door Storage Cabinet



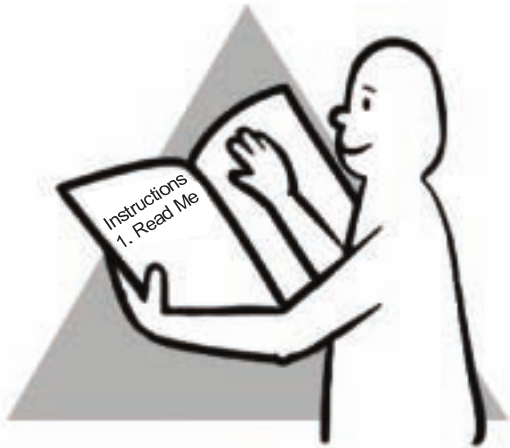
**E1 test result: Passed**

marketB

# STOP!

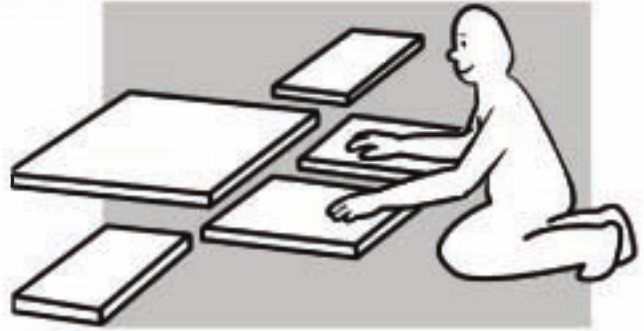
## Before you start...

**1**



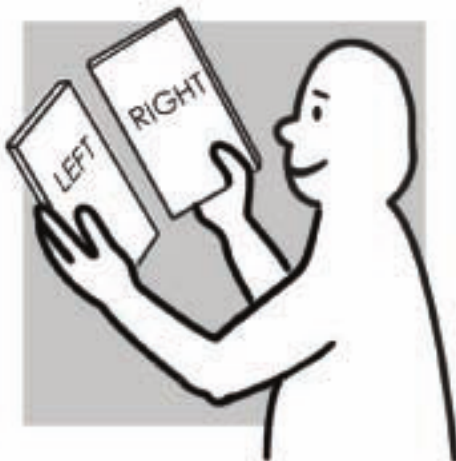
Read instructions carefully.

**2**



Lay out all of the components on a soft surface as if you were preparing to do a jigsaw puzzle.

**3**



Carefully identify each component, especially those that are similar. The most common mistake is getting things back to front.

**4**



Separate and identify each component from the hardware pack and rest each one in its proper location before fastening.

**5**



Do not over-tighten screws.

**6**

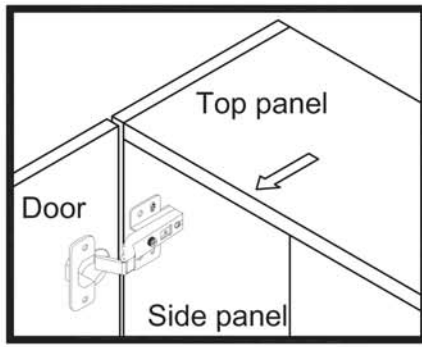


Do not set glue until you are certain that the parts belong together.

# TO ADJUST YOUR DOORS TO MAKE THE GAPS MORE EVEN (OPTIONAL).

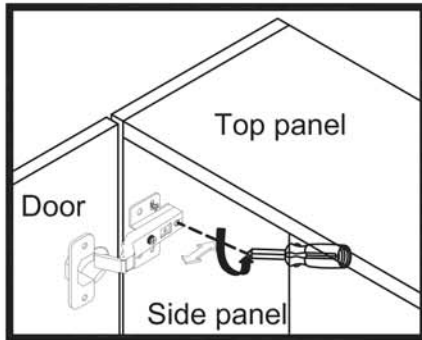
## STEP 1

Open the door.



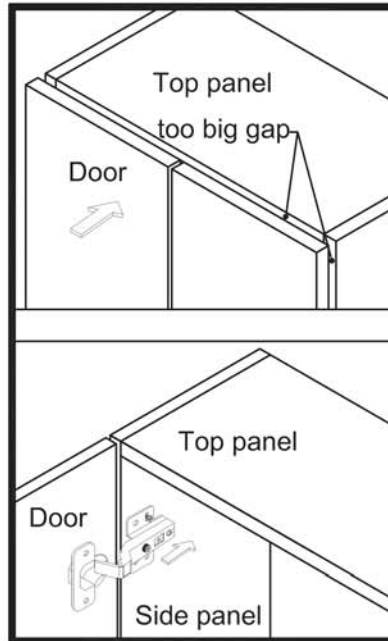
## STEP 2

Adjust the gap between door panel and side panel



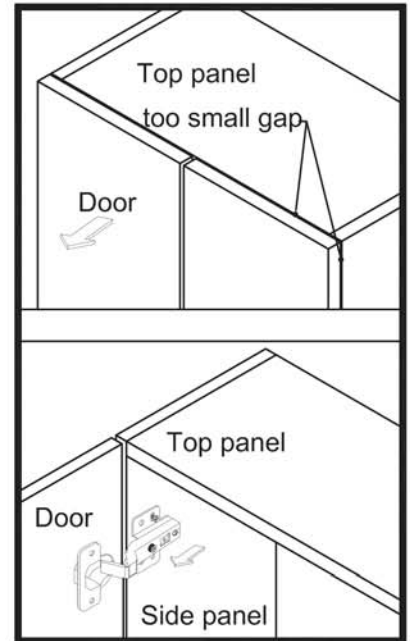
Loosen the screw indicated a little, adjust the hinge to right position (see step 2a & 2b), then tighten the screw.

### STEP 2a MOVE DOOR IN



Push the hinge back a little.

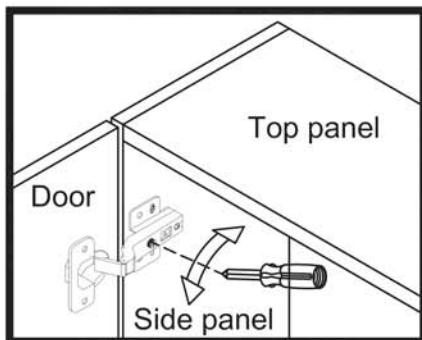
### STEP 2b MOVE DOOR OUT



Pull the hinge forward a little.

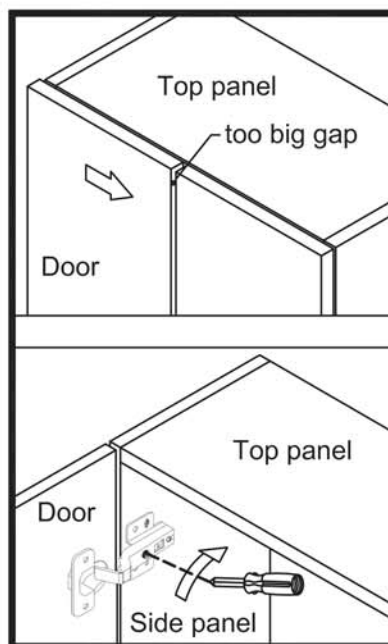
## STEP 3

To adjust the gap between two door



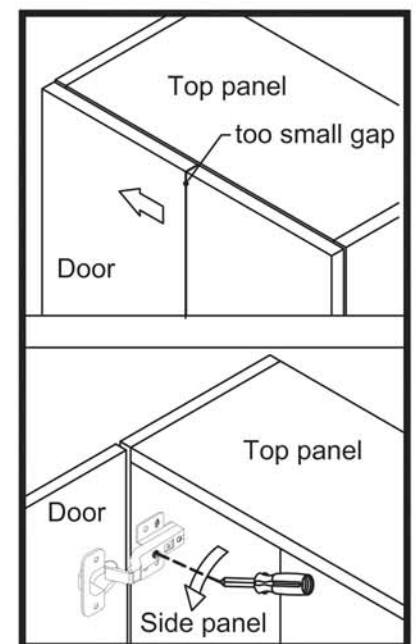
Loosen or tighten the screw indicated a little to adjust the gap between doors panels (see step 3a & step 3b)

### STEP 3a MOVE DOOR RIGHT



Turn the screw clockwise a little as shown to make the gap small.

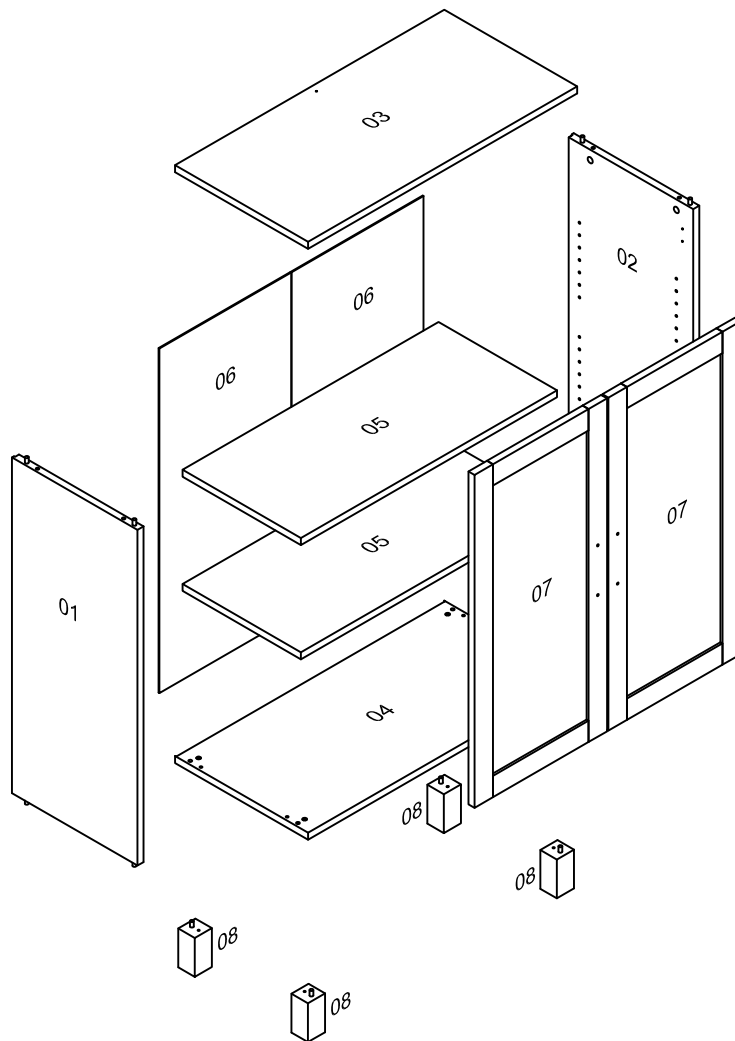
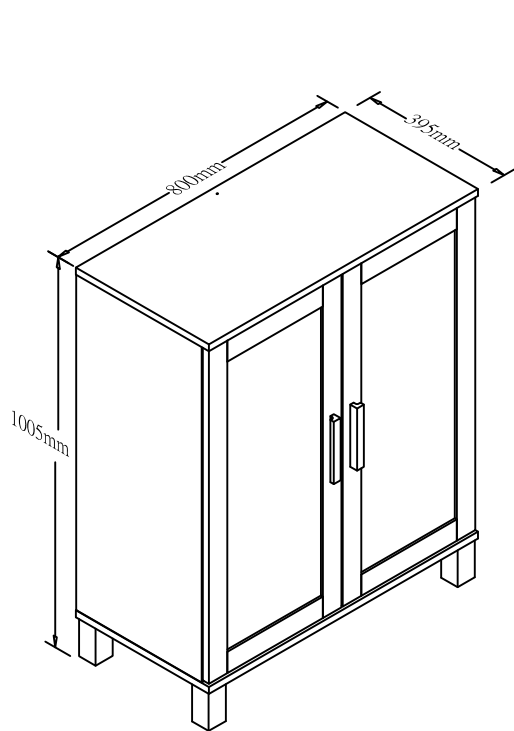
### STEP 3b MOVE DOOR LEFT



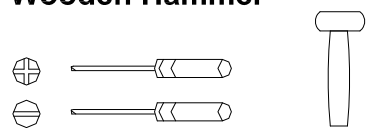
Turn the screw counterclockwise a little as shown to make the gap big.

# HERE'S HOW

05.26.2017 Issue 1



(Tools not provided)  
**Flat Blade Screwdriver**  
**Phillips Head Screwdriver**  
**Wooden Hammer**



**To Assemble the Body**

**Wooden Hammer**

**CHECK YOUR COMMOONENTS**

<b>001C</b>	<b>002C</b>	<b>003C</b>	<b>004C</b>	<b>005C</b>	<b>006C</b>	<b>007C</b>	<b>008C</b>	<b>009C</b>	<b>010C</b>
X 4	X 4	X 4	X 8 5.5X45mm	X 4	X 2	X 1	X 2 3.5x15mm	X 8	X 8
<b>011C</b>	<b>012C</b>	<b>013C</b>	<b>014C</b>	<b>015C</b>	<b>016C</b>	<b>017C</b>			
X 4	X 1	X 24	X 16 4x15mm	X 4	X 1	X 1 5x16mm			

# STEP 1

Will require these parts:



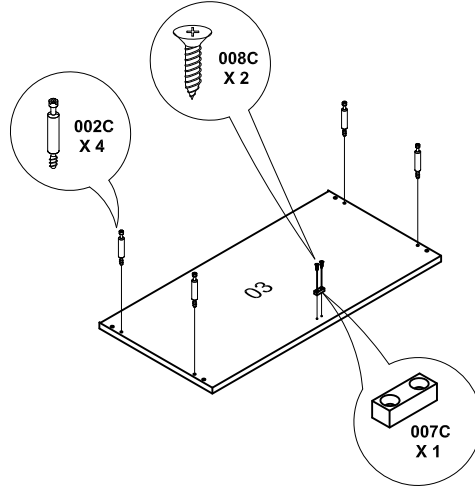
002C  
X 4



007C  
X 1



008C  
X 2



# STEP 2

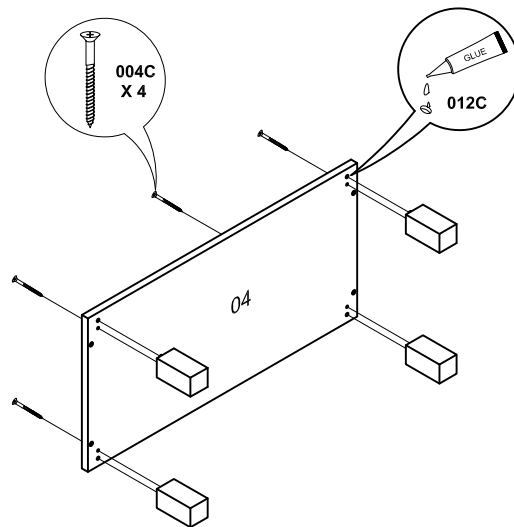
Will require these parts:



004C  
X 4



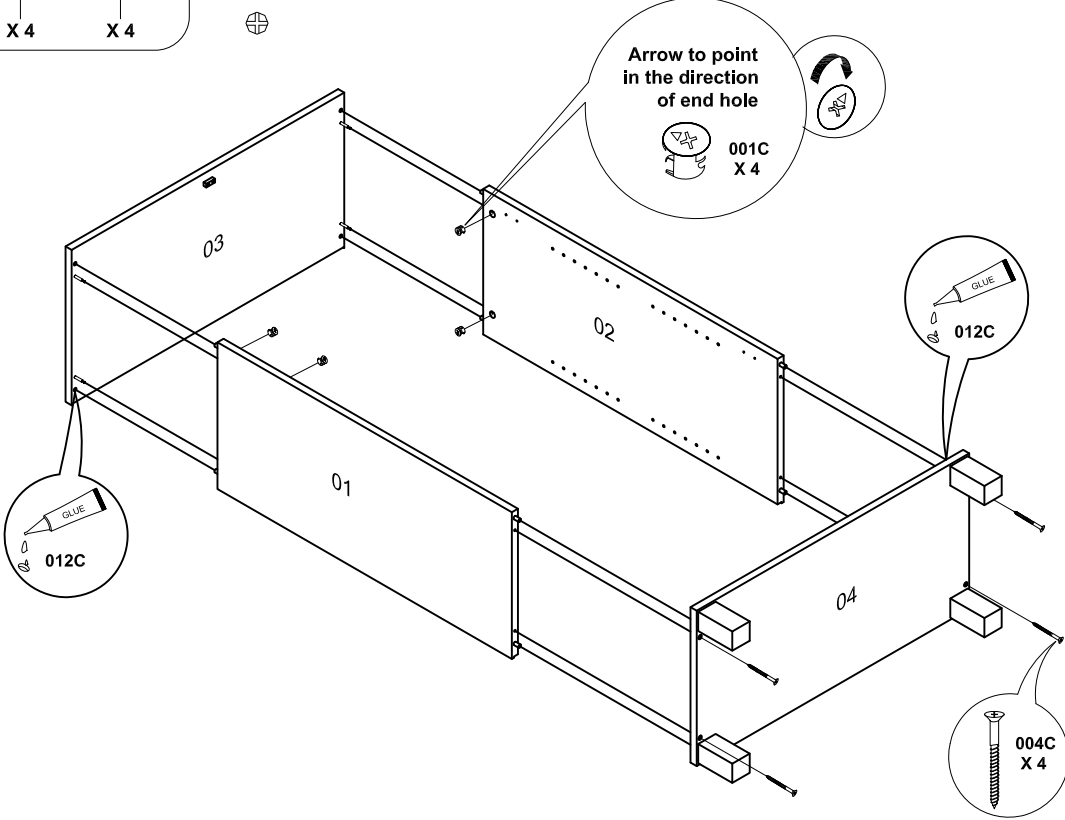
012C



### STEP 3

Will require these parts:

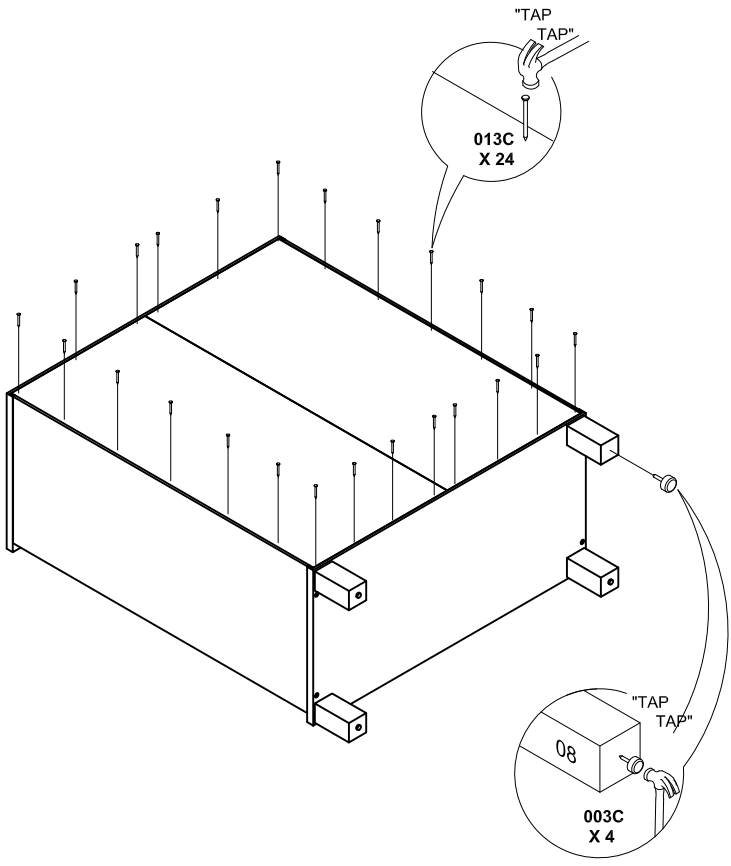
- 012C (Glue)
- 004C (Screw) X 4
- 001C (Washer) X 4



### STEP 4

Will require these parts:

- 003C (Washer) X 4
- 013C (Screw) X 24



# STEP 5

Will require these parts:



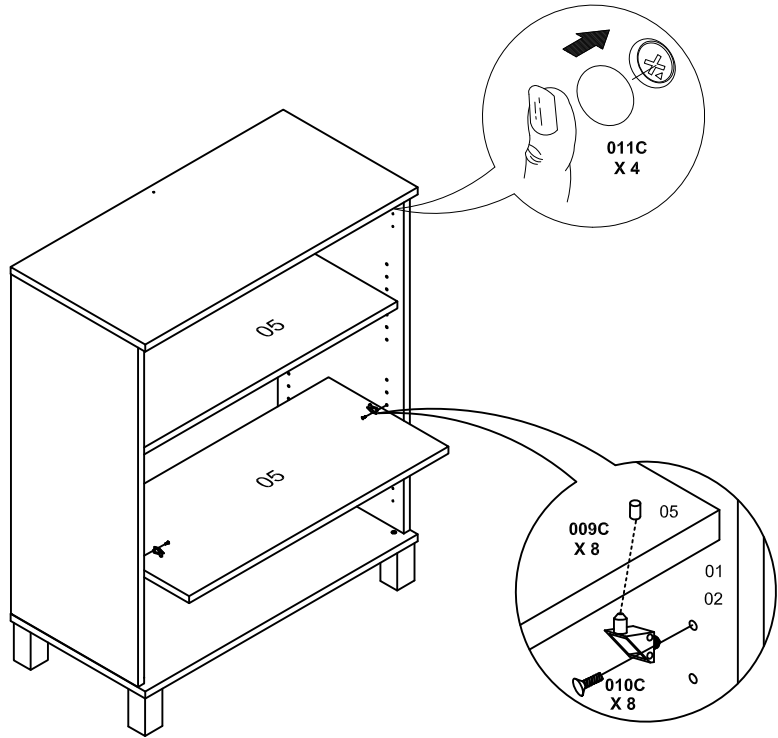
011C  
X 4



010C  
X 8



009C  
X 8



# STEP 6

Will require these parts:



014C  
X 8



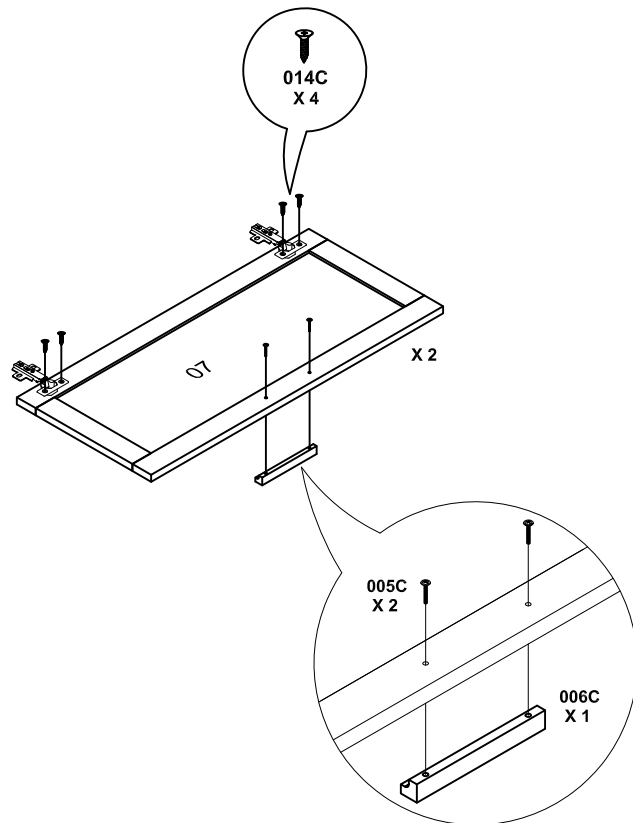
015C  
X 2



005C  
X 4



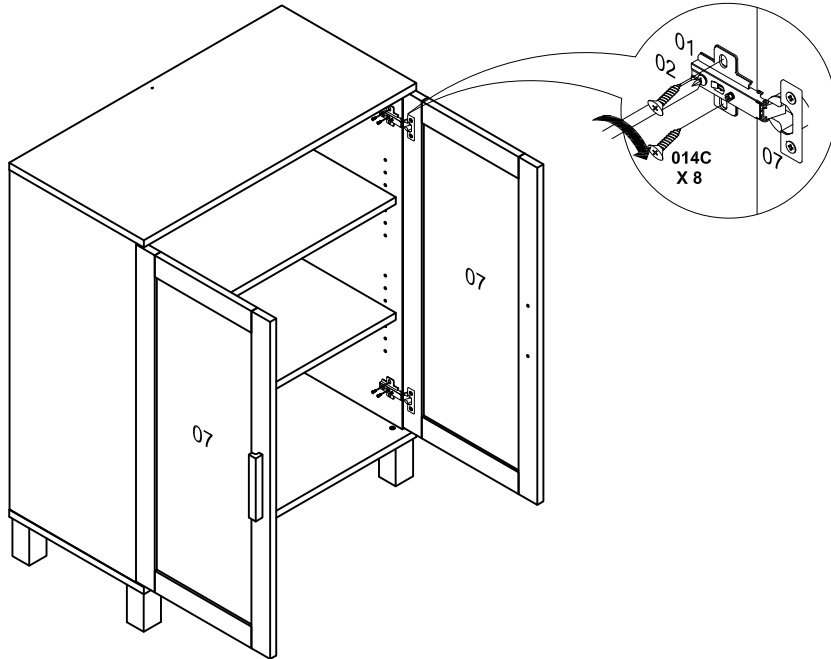
006C  
X 2



# STEP 7

Will require these parts:

014C  
X 8

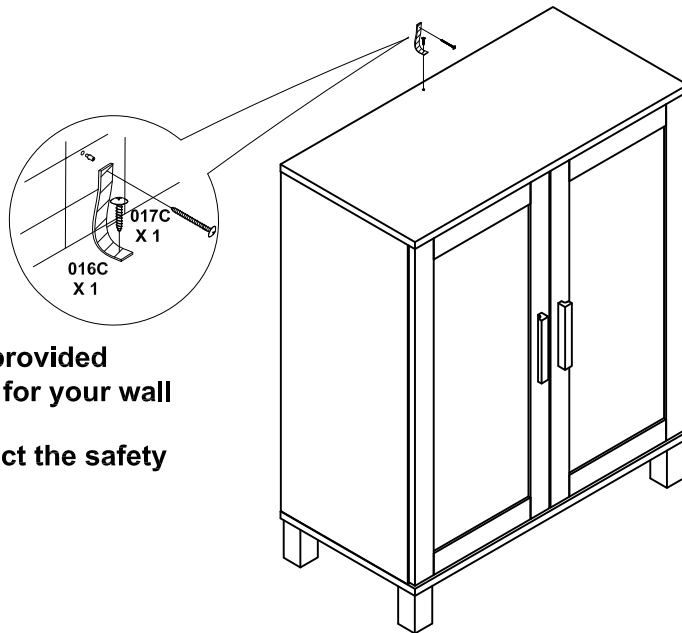


# STEP 8

Will require these parts:

017C  
X 1

016C  
X 1



**Screws and wall plugs are not provided  
please use appropriate fixtures for your wall**

**Use the screws (017C) to connect the safety  
belt (016C) to the top panel**